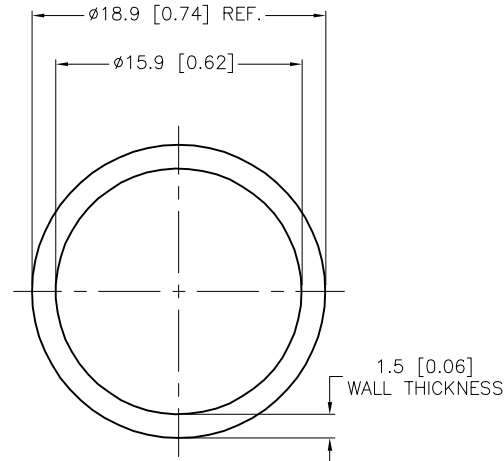


SPECIFICATIONS


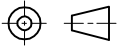
MATERIAL	60 DURO TRANSLUCENT SILICONE RUBBER
TEMPERATURE RATING	232°C (450°F)
TENSILE STRENGTH	1275 PSI
ELONGATION	400%
TEAR STRENGTH, DIE B	100 PPI



NOTES:

1. 10 - 6.00 INCH PIECES OF SILICONE TUBING PER BAG.

SOURCE DRAWING - FOR REFERENCE ONLY

RELATED DOCUMENTS		3RD ANGLE PROJECTION		THIS DRAWING IS CONFIDENTIAL AND THE PROPERTY OF TURCK INC. USE OF THIS DOCUMENT WITHOUT WRITTEN PERMISSION IS PROHIBITED.		 3000 CAMPUS DRIVE MINNEAPOLIS, MN 55441 1-800-544-7769 (763) 553-7300 (763) 553-0708 fax www.turck.us	
1. 2. 3. 4.				DRFT RDS DATE 01/06/09		DESCRIPTION	
SEE SPECIFICATIONS		ALL DIMENSIONS DISPLAYED ON THIS DRAWING ARE FOR REFERENCE ONLY		APVD VU SCALE 1=5		ST ID 5/8-INCH (10/BAG-6IN)	
FINISH		CONTACT TURCK FOR MORE INFORMATION		UNIT OF MEASUREMENT		IDENTIFICATION NO.	
SEE SPECIFICATIONS				MILLIMETER [ INCH ]		A9544	
A DRAWING RELEASE		RDS 01/07/09		DO NOT SCALE THIS DRAWING		REV A	
REV DESCRIPTION		BY DATE ECO NO.		FILE: A9544		SHEET 1 OF 1	